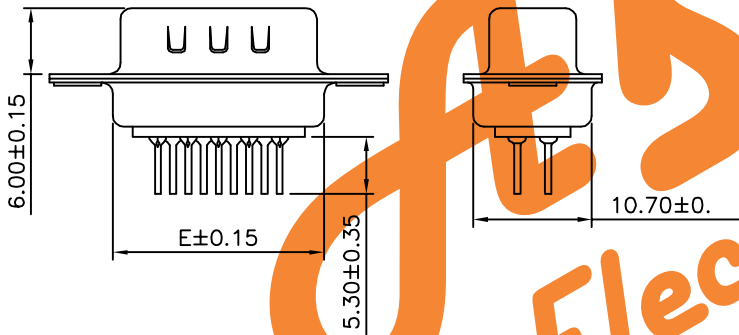
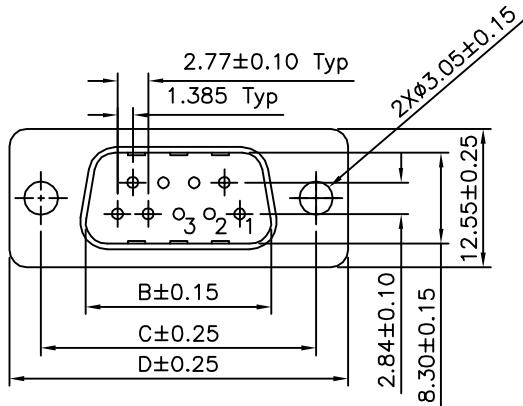


Recommended P.C.B. Layout



09,15,25,37 Pin

**SPECIFICATION**  
 Current Rating:5 Amps  
 Withstanding Voltage:1000V(One Minute)  
 Insulation Resistance:1000 Megaohms Min.  
 At 500V DC  
 Contact Resistance:20 Milliohms Max.  
 Operation Temperature:-50°C~+105°C  
 Insulator:PBT+30%G.F.(UL94V-0),Black  
 Contact:Brass,Gold Flash Over Nickel  
 Shell:SPCC,Front:Nickel Plated,Rear:Tin Plated  
 RoHS Compliant

WWW.ASA-Electronic.com

ASA Electronic

Pin	B	C	D	E
09	16.92	24.99	30.81	19.20
15	25.25	33.32	39.20	27.70
25	38.96	47.04	53.04	41.10
37	55.42	63.50	69.40	57.30

**ASA** WWW.ASA-Elec.com  
*Electronic*  
**AsA Electronic Co.**  
 Tel : (+98) 21 66 73 56 82 Mob : (+98) 912 03 161 02

DRAWING No.  
 02876

APPROVED BY  
 MEI  
 CHECKED BY  
 HZF  
 DRAWING BY  
 WSS

UNLESS OTHERWISE SPECIFIED TOLERANCES ARE  
 .X ±0.38 .X' ±3"  
 .XX ±0.25 .XX' ±1"  
 .XXX ±0.05 .XXX' ±0.5"

SCALE NONE

REV. A0

UNIT mm

NO. REV.

A0 NEW RELEASE

HZF 07/06/2011

REVISIONS CHK DATE